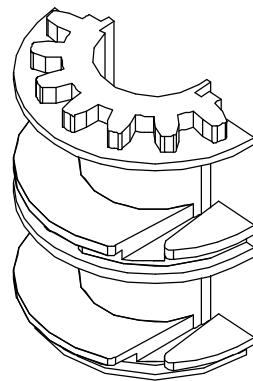
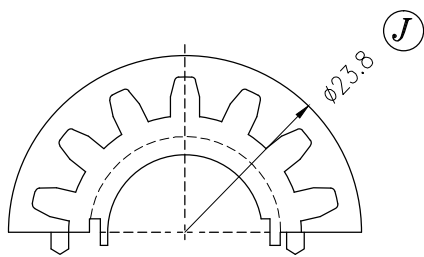
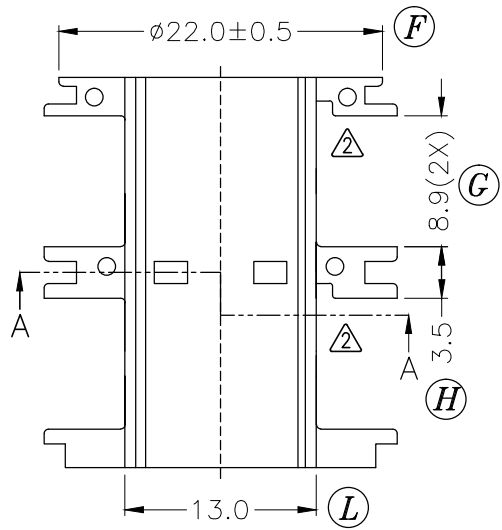
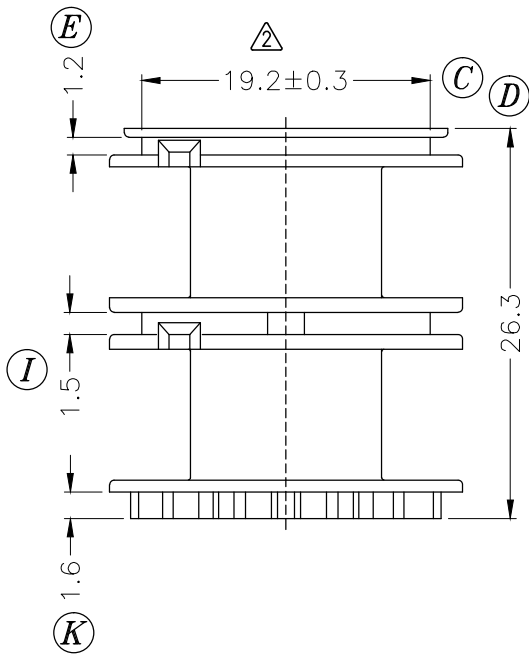


SEC.A-A



REV.	REVISIONS REC.	DATE	REV.	REVISIONS REC.	DATE
1	MATERIAL CHANGES FROM PBT4130 TO PBT4115				
2	MATERIAL CHANGES FROM PBT4115 TO PBT4130 $\Delta$				
	$\Delta$ DIM.(C) 19.2±0.5 CHANGE TO 19.2±0.3				

DRAWN & DRAFTED BY HE ZHONG HUA	TOLERANCES		ANGLE: $\pm 1^\circ$	TITLE: BOBBIN ET-35 (2 SEC)	
	0<L≤4 ±0.1	pin pitch ±0.2	UNIT: MM	BOBBIN MATERIAL: PBT 4130 $\Delta$	UL REC. UL 94V-0
CHECKED & APPROVED BY	4<L≤16 ±0.2		ORIGIN: ZZ	PIN MATERIAL:	PIN TENSION LOAD:
	16<L≤63 ±0.3		DATE: APR.17'2003	DRAWING NO. P-3515	REV. 2



PIN SHINE INDUSTRIAL CO., LTD.  
TEL: +86-596-7880558 FAX: +86-596-7880556

