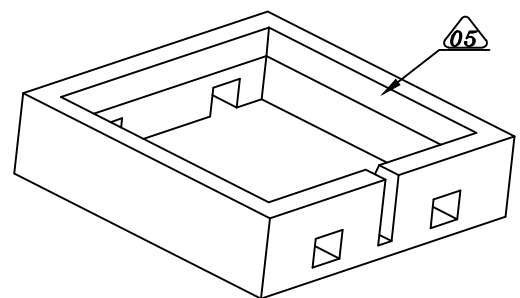
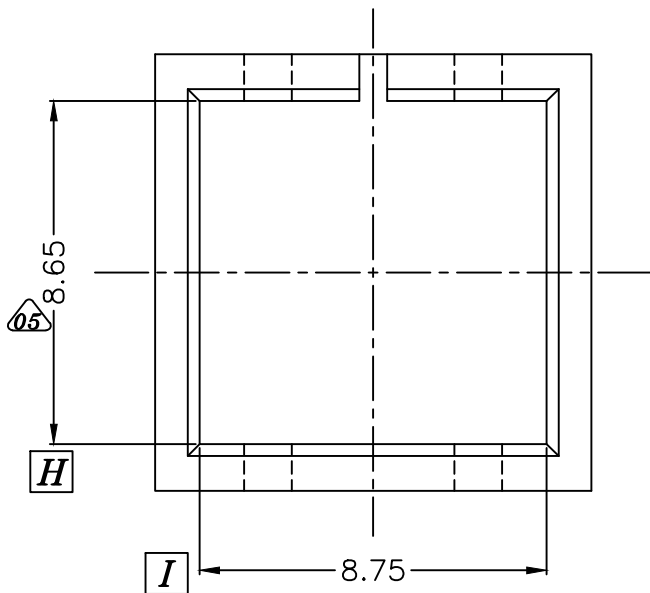


PART S-1202(-1) & PART S-1203



REV.	REVISIONS REC.	DATE	REV.	REVISIONS REC.	DATE
1	CORRECT THE DRAWING.		4	UPDATE DRAWING	2015.10.16
2	DRAWING NO. S-1202A-->C-104		5	(H)8.55->8.65 (E)0.6->0.7 ADD C0.3x0.8	2019.01.14
3	Change Material from LCP6130 to LCP E4008 BK	2005.12.08			

DRAWN & DRAFTED BY YE ZHAN CHAO	TOLERANCES		ANGLE:	TITLE:		
	0<L≤4 ±0.1	COPLANARITY	±1°	COVER EF-12.6		
CHECKED & APPROVED BY	4<L≤16 ±0.2		UNIT:	BOBBIN MATERIAL:	UL REC.	
	16<L≤63 ±0.3		MM	LCP E4008 MR (BK)	UL 94V-0	
		ORIGIN:	DG	PIN MATERIAL:	PIN TENSION LOAD:	
TEL:886-2-22990545 FAX:886-2-22990546				DATE:	DRAWING NO.	REV.
				OCT.29 '2003	C-104	5