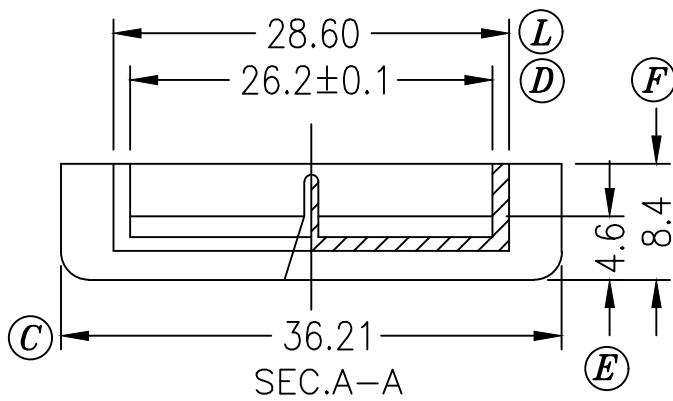
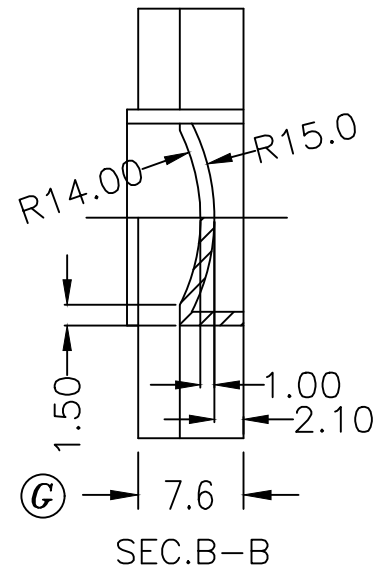
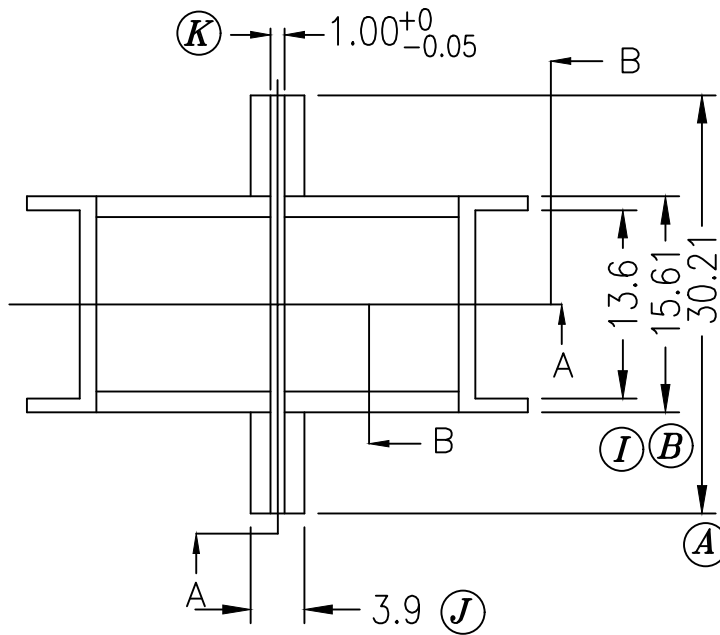


PART P-3907



REV.	REVISIONS REC.	DATE.	REV.	REVISIONS REC.	DATE.
1	UPDATE DRAWING; DRAWING NO. P-3907A-->C-116				

DRAWN & DRAFTED BY LI HU	TOLERANCES 0<L≤4 ±0.1 4<L≤16 ±0.2 16<L≤63 ±0.3	PIN PITCH	ANGLE: ±1°	TITLE: COVER ETD-39	
			UNIT: MM	BOBBIN MATERIAL: PBT 1403G6	UL REC. UL 94V-0
CHECKED & APPROVED BY JOHN RONG			ORIGIN: DG	PIN MATERIAL:	PIN TENSION LOAD:
<b>PIN SHINE INDUSTRIAL CO., LTD.</b> TEL:886-2-22990545 FAX:886-2-22990546			DATE: OCT.29'2003	DRAWING NO. C-116	REV. 1