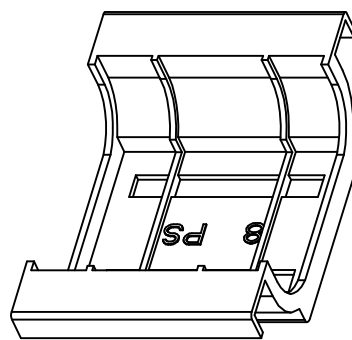
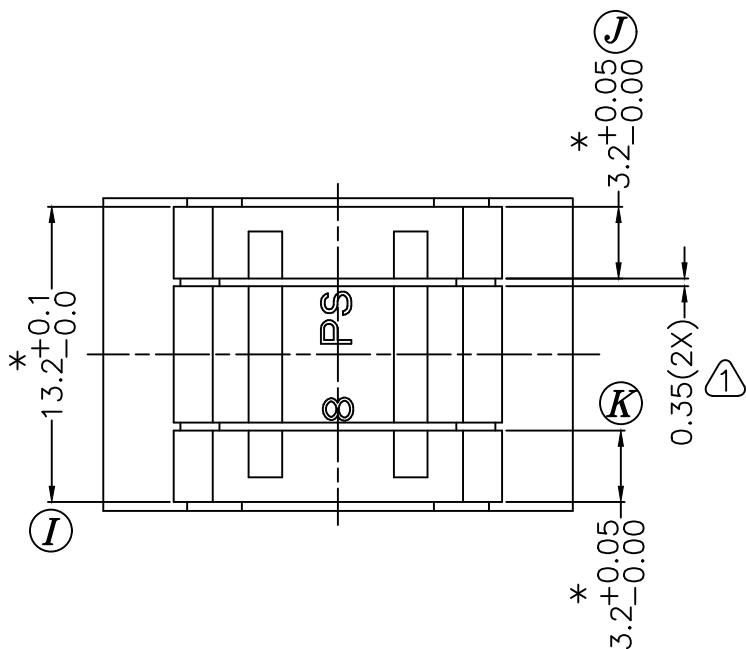


SEC A-A



標注\*為重點管控尺寸

REV.	REVISIONS REC.	DATE	REV.	REVISIONS REC.	DATE
1	ADD THE RIB	06/28/'04			
2	圖面更新	06/04/'12			

DRAWN & DRAFTED BY LIU LI	TOLERANCES		ANGLE: $\pm 1^\circ$	TITLE: COVER EPC19	
	0<L≤4 ±0.1	pin pitch ±0.2	UNIT: MM	BOBBIN MATERIAL: LCP E4008	UL REC. UL 94V-0
CHECKED & APPROVED BY	4<L≤16 ±0.2		ORIGIN: SZ	PIN MATERIAL:	PIN TENSION LOAD:
	16<L≤63 ±0.3			DATE: JUN.04 '2012	DRAWING NO. C-119
PIN SHINE INDUSTRIAL CO., LTD. TEL:886-2-22990545 FAX:886-2-22990546					REV. 2