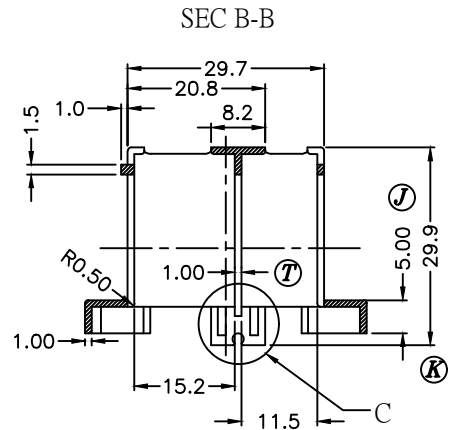
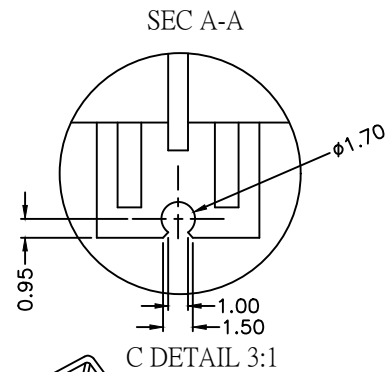


SEC B-B

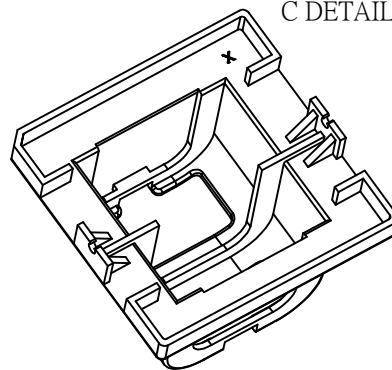


SEC B-B



SEC A-A

C DETAIL 3:1



REV.	REVISIONS REC.	DATE	REV.	REVISIONS REC.	DATE

DRAWN & DRAFTED BY <b>YANG HAI YANG</b>	TOLERANCES		ANGLE:	TITLE:		
	0<L≤4 ±0.1	pin pitch /	±1°	EE4215 COVER		
CHECKED & APPROVED BY <b>JOHN RONG</b>	4<L≤16 ±0.2		UNIT:	BOBBIN MATERIAL:	UL REC.	
	16<L≤63 ±0.3		MM	PET FR530	UL 94V-0	
			ORIGIN:	PIN MATERIAL:	PIN TENSION LOAD:	
			DG	/	/	
<b>PIN SHINE INDUSTRIAL CO., LTD.</b> TEL:886-2-22990545 FAX:886-2-22990546				DATE:	DRAWING NO.	REV.
				MAY.25 '2005	C-174	0