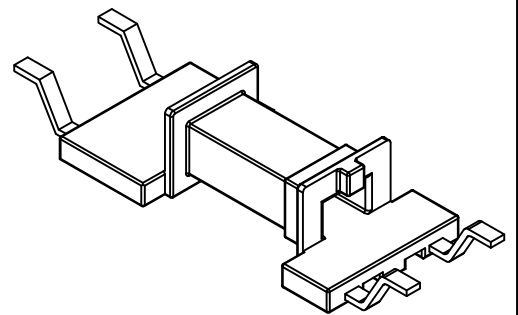
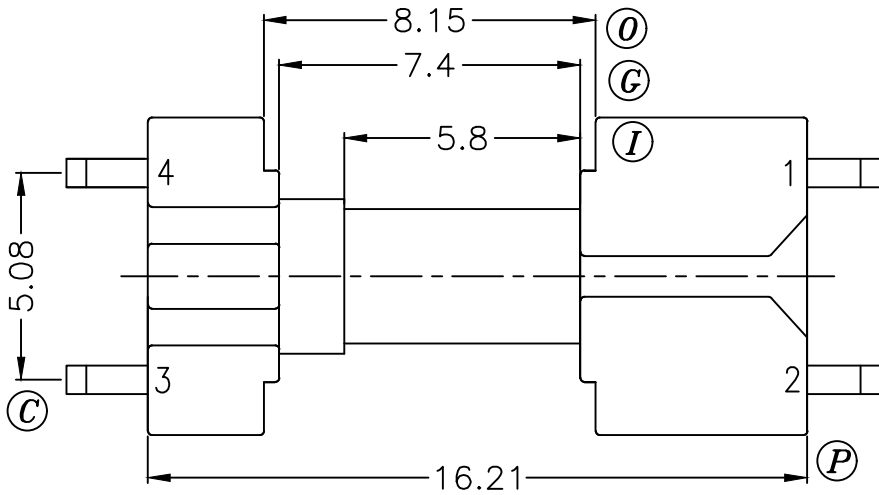
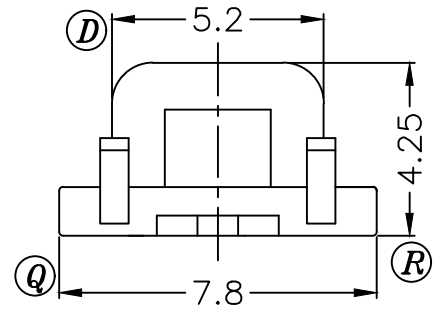
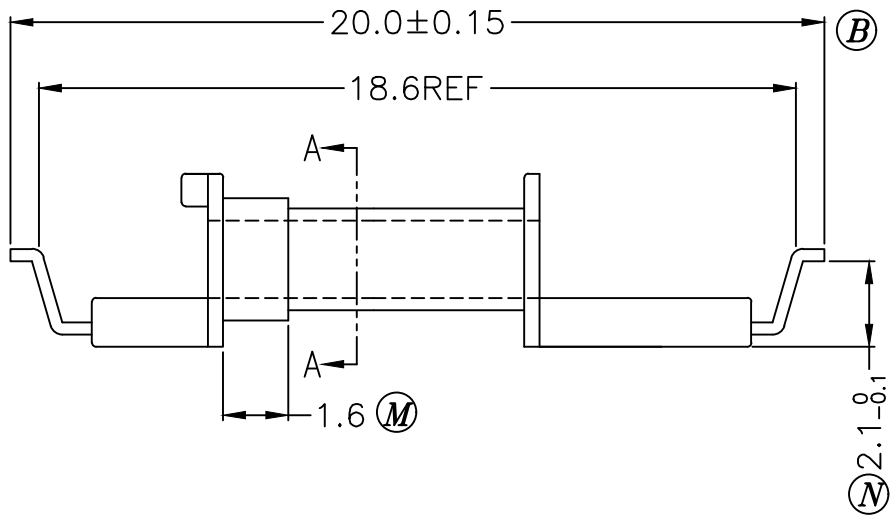


SEC.A-A



REV.	REVISIONS REC.	DATE	REV.	REVISIONS REC.	DATE
1	(J)16.0-->16.2 (T) 5.0-->5.2				
2	CANCEL (K); UPDATE DRAWING				
3	UPDATE DRAWING	'07.12.27			

DRAWN & DRAFTED BY JING WEI JIE	TOLERANCES		ANGLE:	TITLE:		
	0<L≤4 ±0.1	pin pitch ±0.05	±1°	SMD BOBBIN ED-8.0		
CHECKED & APPROVED BY	4<L≤16 ±0.2		UNIT:	BOBBIN MATERIAL:	UL REC.	
	16<L≤63 ±0.3		MM	LCP E4008	UL 94V-0	
ORIGIN: DG			PIN MATERIAL:	PIN TENSION LOAD:		
			PHOSPHOR BRONZE	1.5KG MIN		
 PIN SHINE INDUSTRIAL CO.,LTD. TEL:886-2-22990545 FAX:886-2-22990546			DATE:	DRAWING NO.	REV.	
			APR.02 '2003	S-803	3	