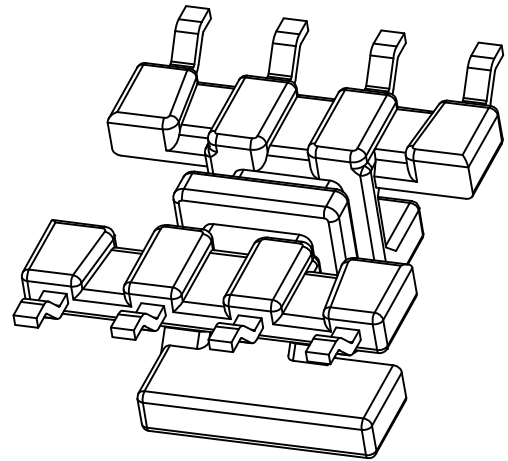
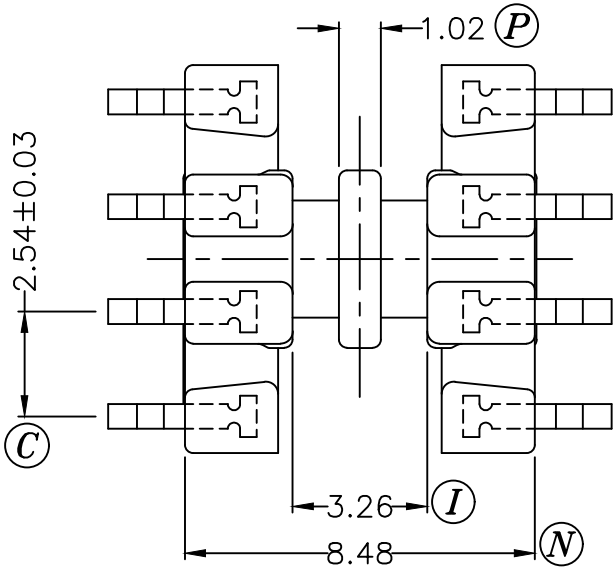
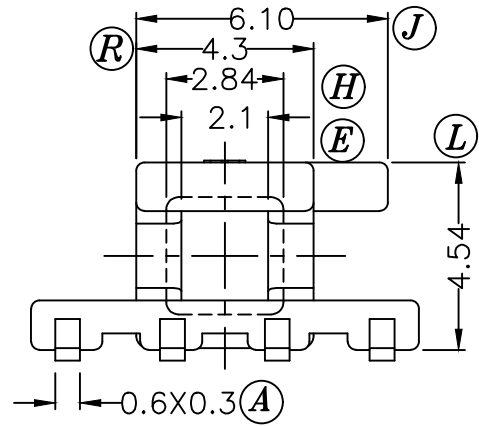
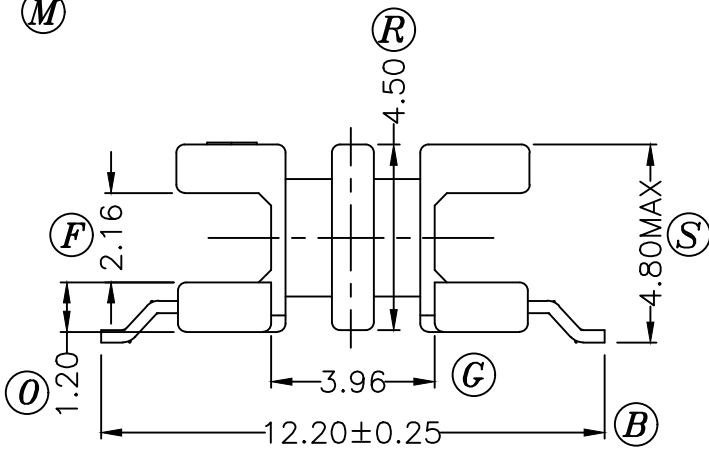
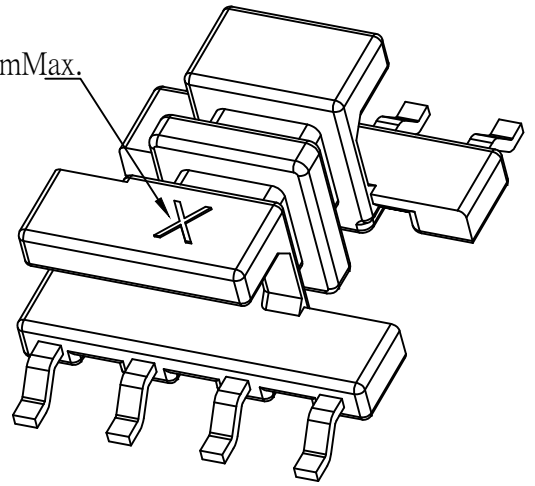
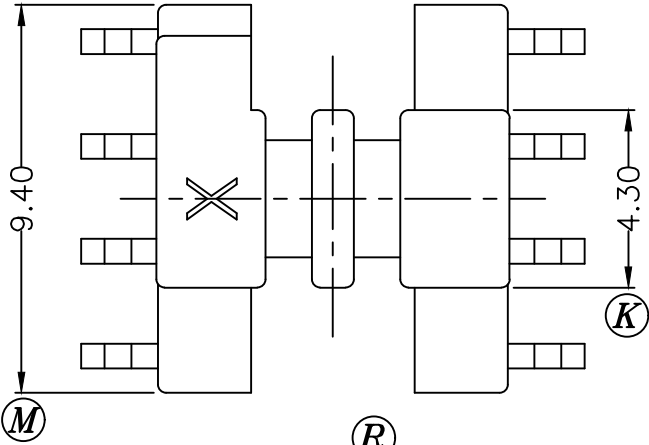


CAV.NO.  $\square 0.05\text{mmMax.}$



REV.	REVISIONS REC.	DATE	REV.	REVISIONS REC.	DATE

DRAWN & DRAFTED BY LI JIE	TOLERANCES		ANGLE: $\pm 1^\circ$	TITLE: SMD BOBBIN EE-8.8	
	$\pm 0.12$	COPLANARITY 0.1 MAX	UNIT: MM	BOBBIN MATERIAL: PHENOLIC PM9630	UL REC. UL 94V-0
CHECKED & APPROVED BY	ORIGIN: DG	PIN MATERIAL: C5191H	DATE: JULY.30 '2015	PIN TENSION LOAD: 0.9KG/MIN	DRAWING NO. S-809-1
PIN SHINE INDUSTRIAL CO., LTD. TEL:886-2-22990545      FAX:886-2-22990546			REV. 0		