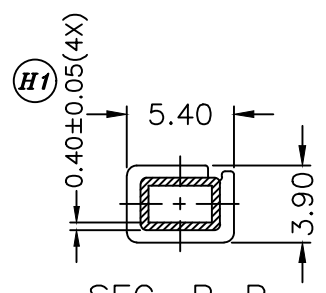
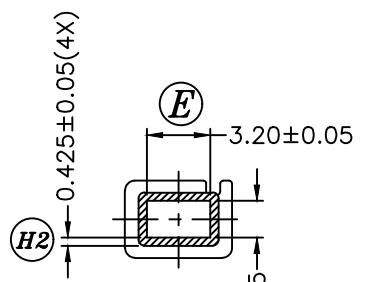
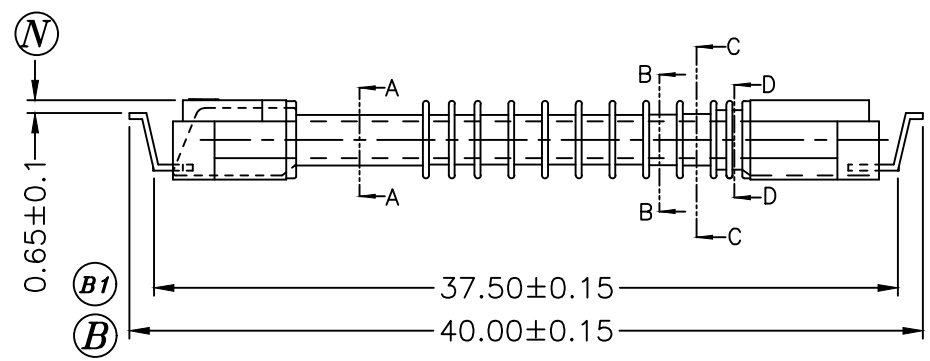


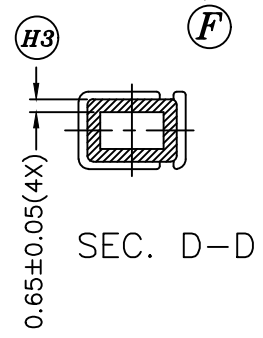
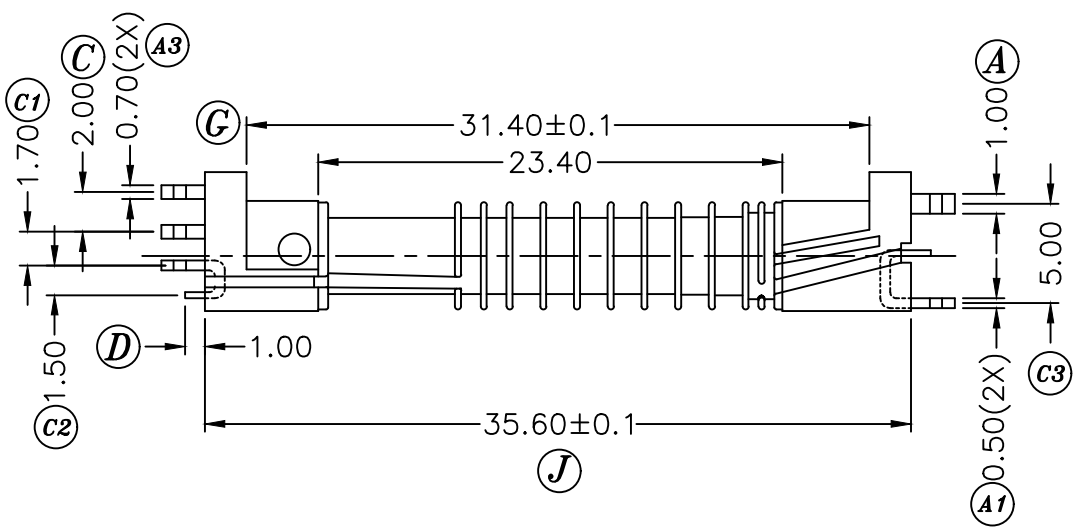
SEC. A-A



SEC. B-B



SEC. C-C



SEC. D-D

REV.	REVISIONS REC.	DATE	REV.	REVISIONS REC.	DATE
1	PIN 硬度由 1/2H 改為 H.	'06.04.17			
2	標記 "2": 尺寸 0.375 → 0.405; R0.3 → R0.2	'06.06.19			

DRAWN & DRAFTED BY YANG CHEN	TOLERANCES		ANGLE: $\pm 1^\circ$	TITLE: SMD BOBBIN CI8.1	
	± 0.1	COPLANARITY 0.1MAX	UNIT: MM	BOBBIN MATERIAL: LCP E4008	UL REC. UL 94V-0
CHECKED & APPROVED BY		ORIGIN: SZ	PIN MATERIAL: PHOSPHOR BRONZE(H)	PIN TENSION LOAD: 2.0KG MIN	
PIN SHINE INDUSTRIAL CO., LTD. TEL: 886-2-22990545 FAX: 886-2-22990546			DATE: JUN.19 '2006	DRAWING NO. S-828-4	REV. 2