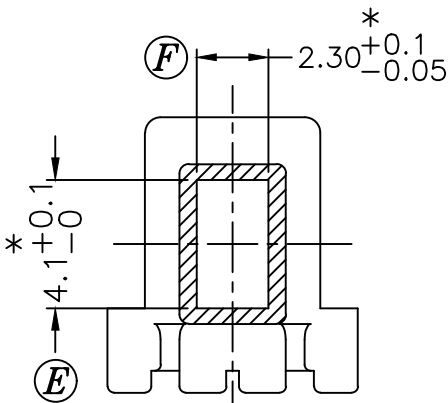
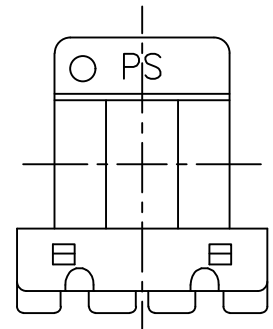
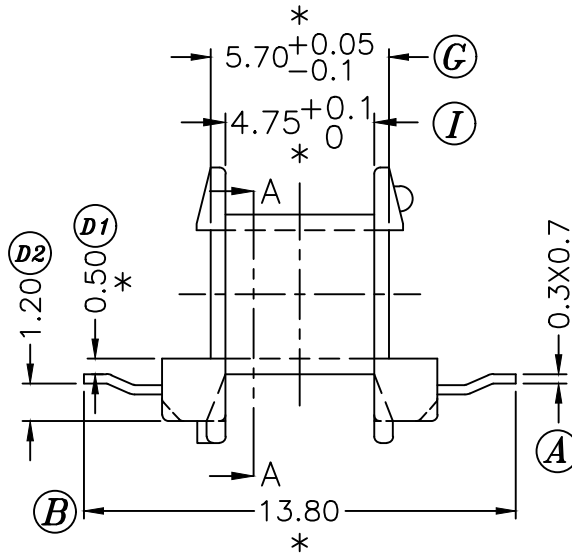
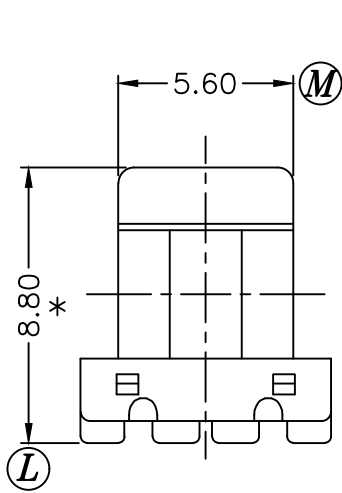
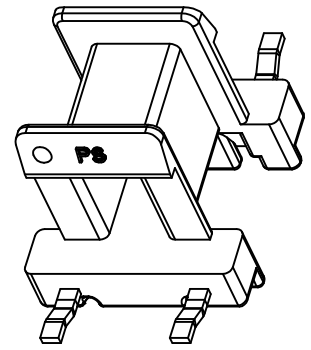
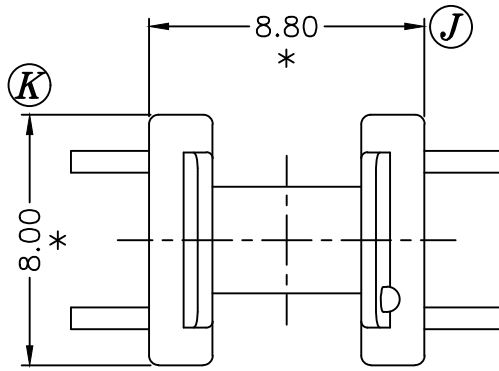
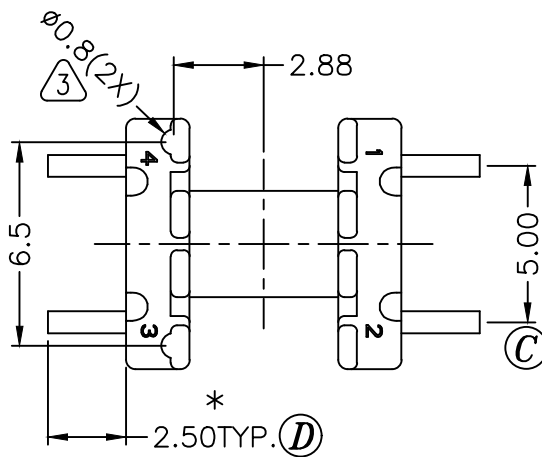


SEC A-A



SEC A-A



REV.	REVISIONS REC.	DATE	REV.	REVISIONS REC.	DATE
1	PIN TENSION LOAD: 0.7KG MIN->2.0KG MIN	'05.08.26	4	防呆點增高	'06.03.08
2	產品直PIN改為倒海鷗,且定位凸合刪除	'05.10.15			
3	標記 ③ 處加膠.	'06.02.21			

DRAWN & DRAFTED BY HOU YI MIN	TOLERANCES		ANGLE:	TITLE:	
	0<L≤4 ±0.1	COPLANARITY 0.1 MAX	±1°	SMD BOBBIN EE-8.3	
CHECKED & APPROVED BY	4<L≤16 ±0.2		UNIT:	BOBBIN MATERIAL:	UL REC.
	16<L≤63 ±0.3		MM	LCP E4008	UL 94V-0
PIN SHINE INDUSTRIAL CO., LTD. TEL:886-2-22990545 FAX:886-2-22990546			ORIGIN:	PIN MATERIAL:	PIN TENSION LOAD:
			SZ	PHOSPHOR BRONZE	2.0KG MIN
			DATE:	DRAWING NO.	REV.
			AUG.26 '2005	S-833-1	4