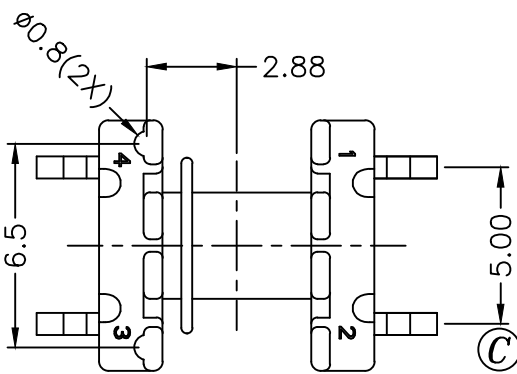



SEC A-A



REV.	REVISIONS REC.	DATE	REV.	REVISIONS REC.	DATE

DRAWN & DRAFTED BY LIU YOU SEN	TOLERANCES		ANGLE: $\pm 1^\circ$	TITLE: SMD BOBBIN EE-8.3	
	$0 < L \leq 4 \quad \pm 0.1$ $4 < L \leq 16 \quad \pm 0.2$ $16 < L \leq 63 \quad \pm 0.3$	COPLANARITY 0.1 MAX	UNIT: MM	BOBBIN MATERIAL: LCP E4008	UL REC. UL 94V-0
CHECKED & APPROVED BY	ORIGIN: SZ		PIN MATERIAL: PHOSPHOR BRONZE	PIN TENSION LOAD: 2.0KG MIN	
 PIN SHINE INDUSTRIAL CO., LTD. TEL: 886-2-22990545      FAX: 886-2-22990546	DATE: MAR.08 '2007		DRAWING NO. S-833-4	REV. 0	