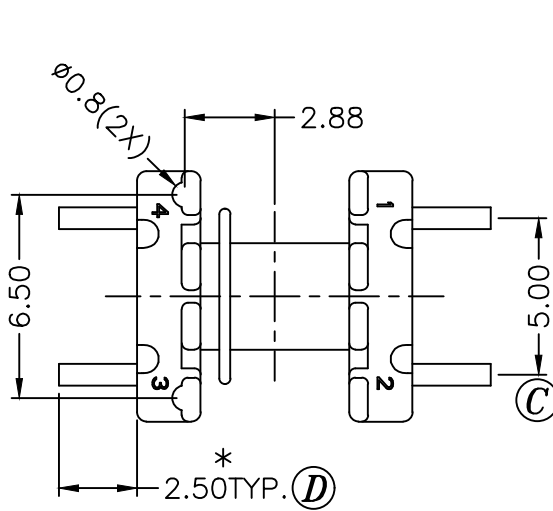



SEC A-A



REV.	REVISIONS REC.	DATE	REV.	REVISIONS REC.	DATE

DRAWN & DRAFTED BY HOU YI MIN	TOLERANCES		ANGLE: ±1°	TITLE: SMD BOBBIN EE-8.3	
	0<L≤4 ±0.1	COPLANARITY 0.1 MAX	UNIT: MM	BOBBIN MATERIAL: LCP E4008	UL REC. UL 94V-0
CHECKED & APPROVED BY	4<L≤16 ±0.2		ORIGIN: SZ	PIN MATERIAL: PHOSPHOR BRONZE(H)	PIN TENSION LOAD: 2.0KG MIN
 <b>PIN SHINE INDUSTRIAL CO.,LTD.</b> TEL:886-2-22990545      FAX:886-2-22990546	DATE: MAR.16 '2007		DRAWING NO. S-833-5	REV. 0	