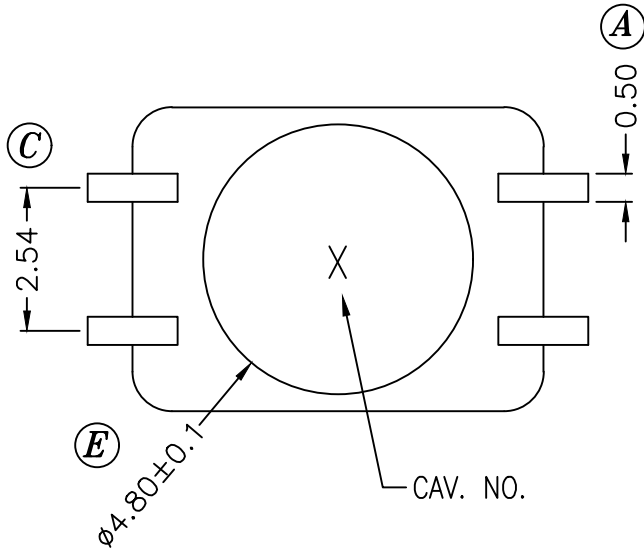
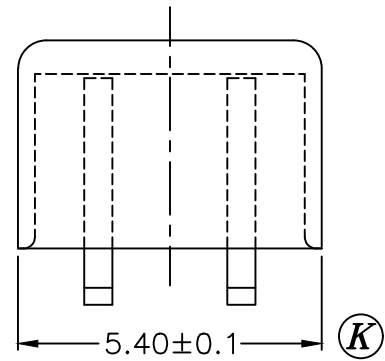
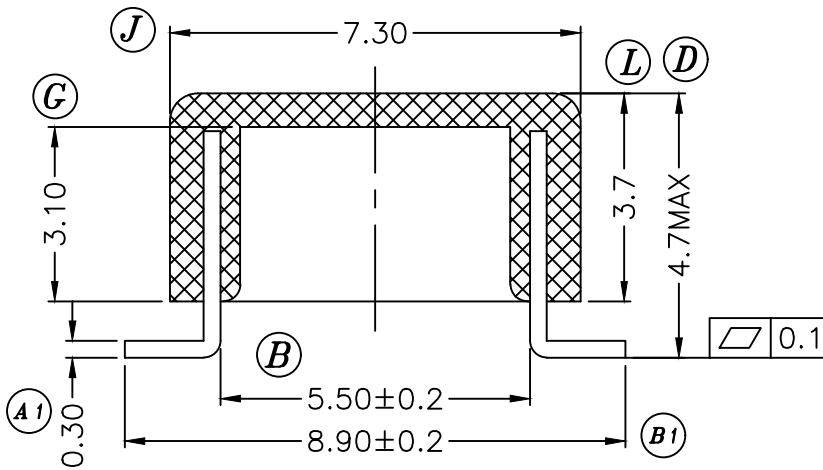


Recommended
PCB layout



REV.	REVISIONS REC.	DATE	REV.	REVISIONS REC.	DATE
1	UPDATE DARWING	'06.07.11			
2	增加材質,PIN切斷面吃錫	'12.02.29			
3	根據文官室修改材質	'22.05.04			

DRAWN & DRAFTED BY 黃英源	TOLERANCES		ANGLE:	TITLE:
	0<L≤4 ±0.1	pin pitch ±0.2	±1°	SMD BOBBIN 7.3X5.4X4.7
CHECKED & APPROVED BY	4<L≤16 ±0.2		UNIT:	BOBBIN MATERIAL:
	16<L≤63 ±0.3		MM	DAP AM113 BK / DAP WH9100 BK
		ORIGIN:	DG	PIN MATERIAL:
				PHOSPHOR BRONZE
				PIN TENSION LOAD:
				1.0KG MIN
PIN SHINE INDUSTRIAL CO.,LTD. TEL:886-2-22990545 FAX:886-2-22990546			DATE:	DRAWING NO.
			MAY.23'2006	SB-045
				REV. 3