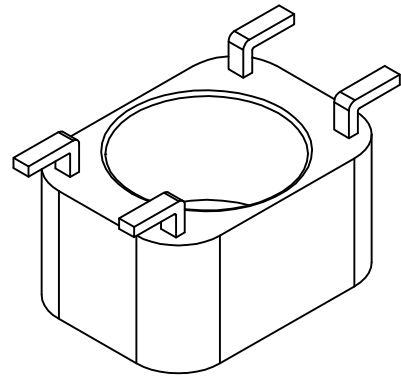
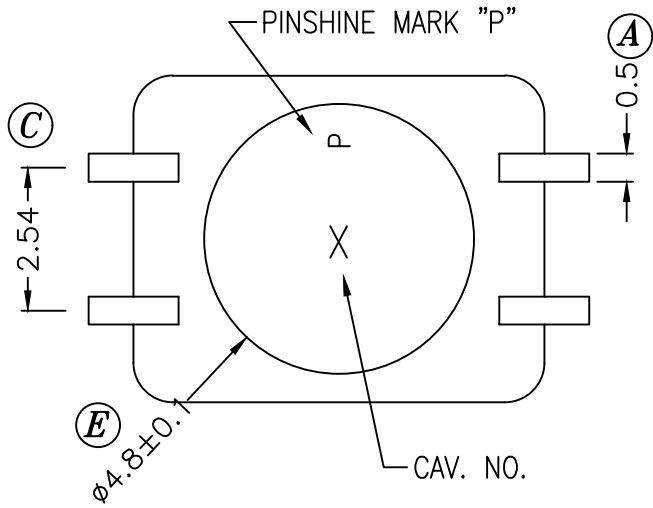
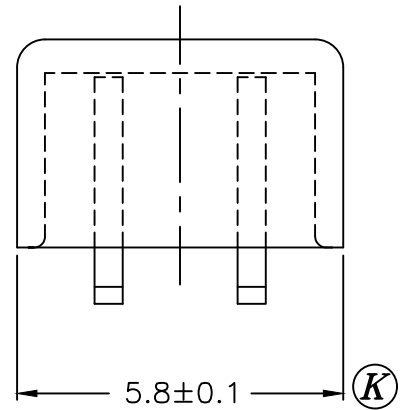
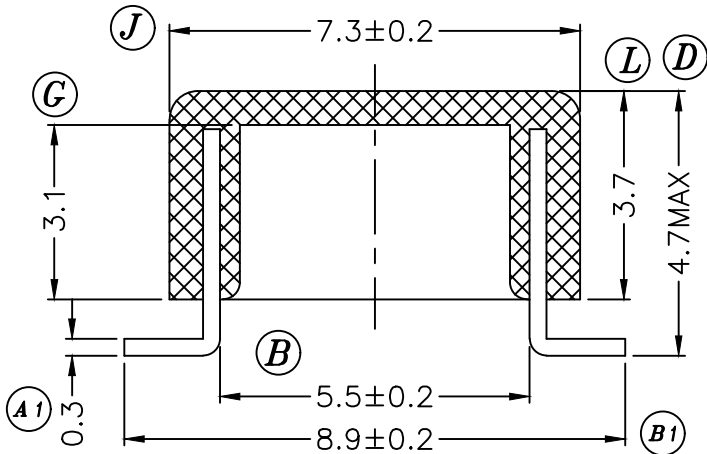


Recommended
PCB layout



REV.	REVISIONS REC.	DATE	REV.	REVISIONS REC.	DATE
1.	根據文管室規格添加 SMD BOBBIN	2022.05.04			

DRAWN & DRAFTED BY 黃英源	TOLERANCES		ANGLE:	TITLE:	
	0<L≤4 ±0.1	pin pitch ±0.2	±1°	SMD BOBBIN 7.3X5.8X4.7	
CHECKED & APPROVED BY	4<L≤16 ±0.2		UNIT:	BOBBIN MATERIAL:	UL REC.
	16<L≤63 ±0.3	MM	DAP AM113	UL 94V-0	
	PIN SHINE INDUSTRIAL CO.,LTD.		ORIGIN:	PIN MATERIAL:	PIN TENSION LOAD:
	TEL:886-2-22990545	FAX:886-2-22990546	DG	PHOSPHOR BRONZE	1.0KG MIN
		DATE:	DRAWING NO.	REV.	
		MAY 27.2006	SB-045-1	1	