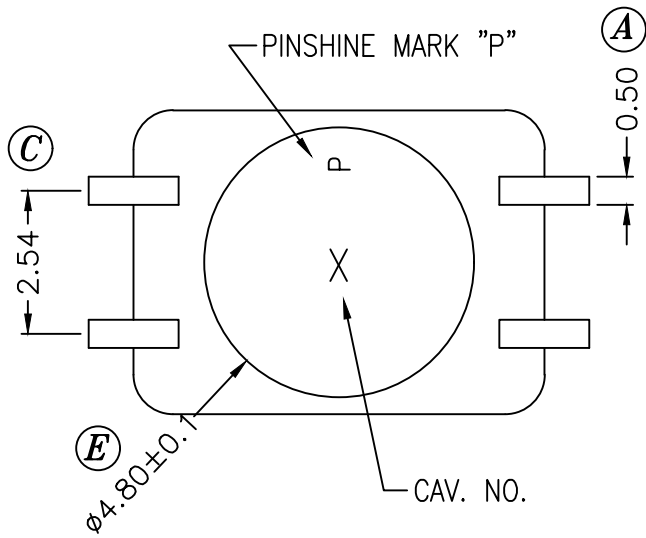
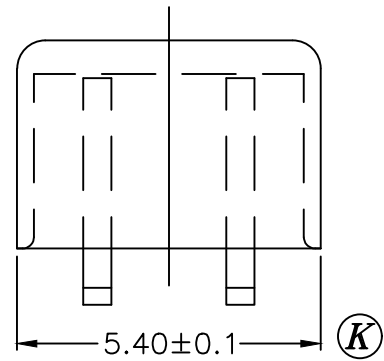
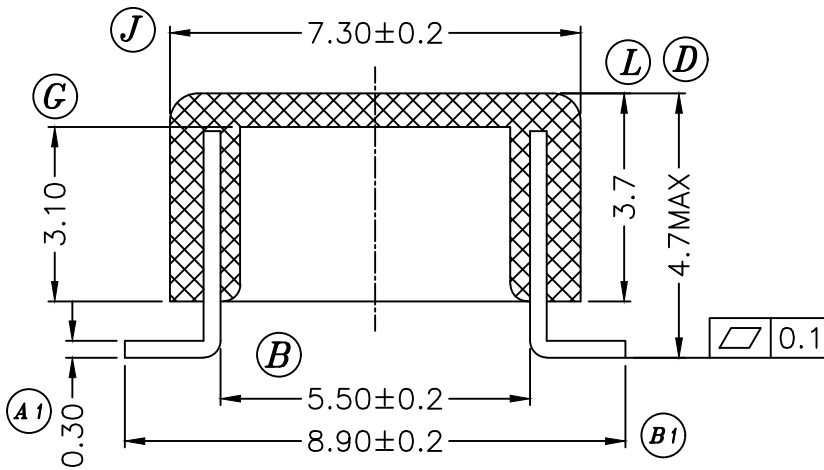


Recommended  
PCB layout



REV.	REVISIONS	REC.	DATE	REV.	REVISIONS	REC.	DATE

DRAWN & DRAFTED BY LI JIE	TOLERANCES		ANGLE: $\pm 1^\circ$	TITLE: SMD BOBBIN 7.3X5.4X4.7	
	0<L≤4 ±0.1	pin pitch ±0.2	UNIT: MM	BOBBIN MATERIAL: PM 9630	UL REC. UL 94V-0
CHECKED & APPROVED BY	4<L≤16 ±0.2		ORIGIN: DG	PIN MATERIAL: PHOSPHOR BRONZE	PIN TENSION LOAD: 1.0KG MIN
	16<L≤63 ±0.3			DATE: JUN.14'2012	DRAWING NO. SB-045-2
<b>PIN SHINE INDUSTRIAL CO.,LTD.</b> TEL:886-2-22990545 FAX:886-2-22990546					REV. 0