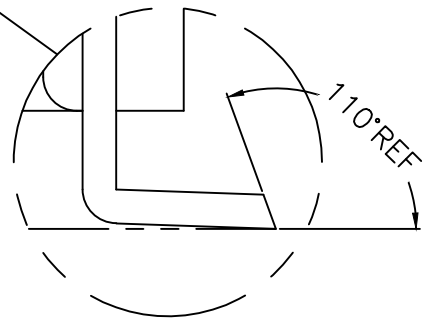
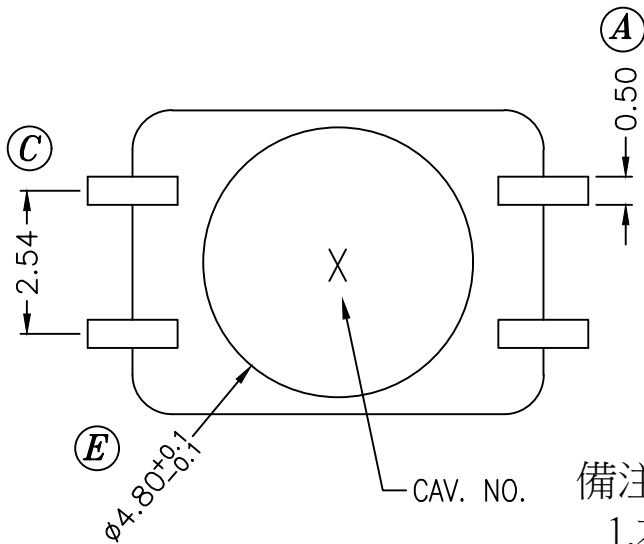
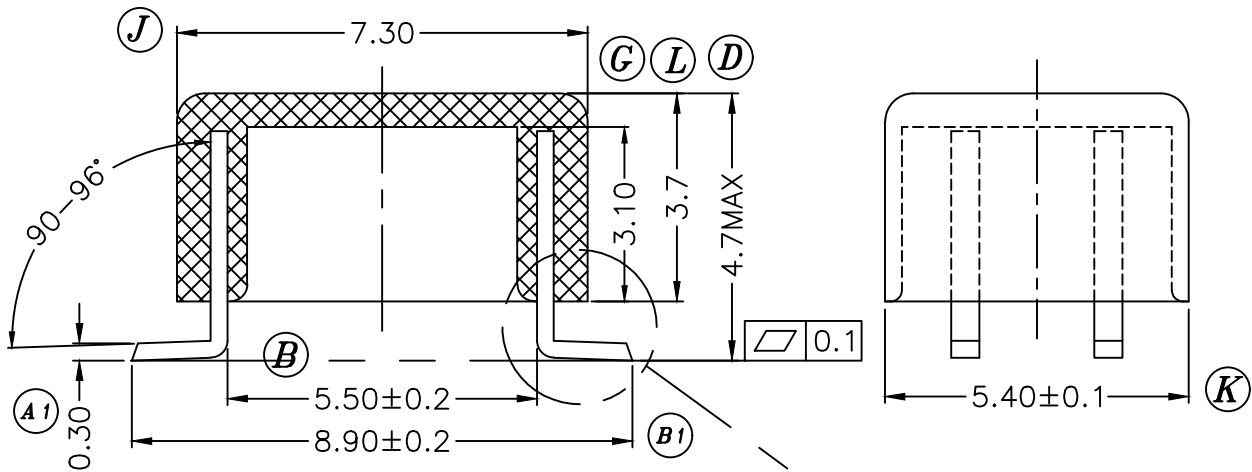


Recommended
PCB layout



備注:

1.本体共SB-045,成品区别为Pin截断面不同

REV.	REVISIONS REC.	DATE	REV.	REVISIONS REC.	DATE

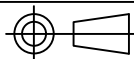
DRAWN & DRAFTED BY Chen Haiqing	TOLERANCES		ANGLE:	TITLE:	
	0<L≤4 ±0.1	pin pitch ±0.2	±1°	SMD BOBBIN 7.3X5.4X4.7	
CHECKED & APPROVED BY	4<L≤16 ±0.2		UNIT:	BOBBIN MATERIAL:	UL REC.
	16<L≤63 ±0.3	MM	PM 9630 BK	UL 94V-0	
ORIGIN: DG			PIN MATERIAL:	PIN TENSION LOAD:	
PIN SHINE INDUSTRIAL CO.,LTD.			PHOSPHOR BRONZE	1.0KG MIN	
TEL:886-2-22990545	FAX:886-2-22990546	DATE:	DRAWING NO.	REV.	
		Aug.27'2015	SB-045-3	0	



PIN SHINE INDUSTRIAL CO.,LTD.

TEL:886-2-22990545

FAX:886-2-22990546



DATE: Aug.27'2015

DRAWING NO. SB-045-3

REV. 0