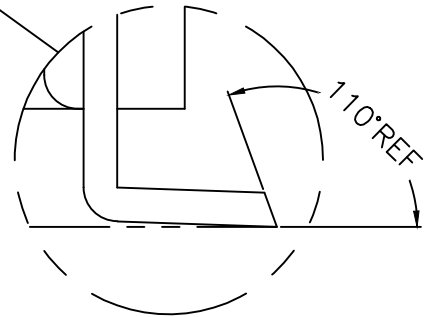
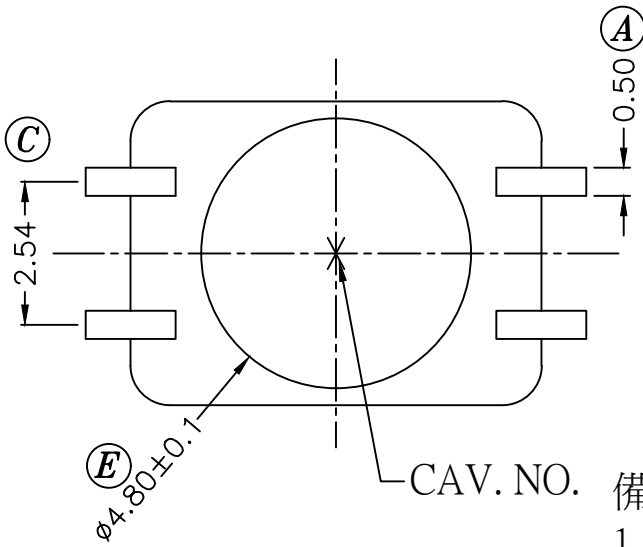
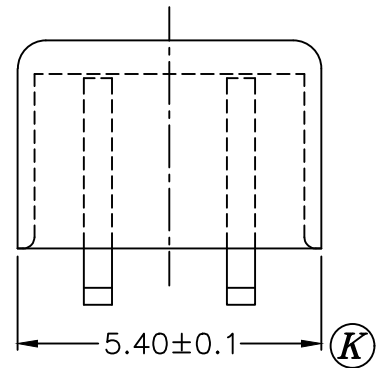
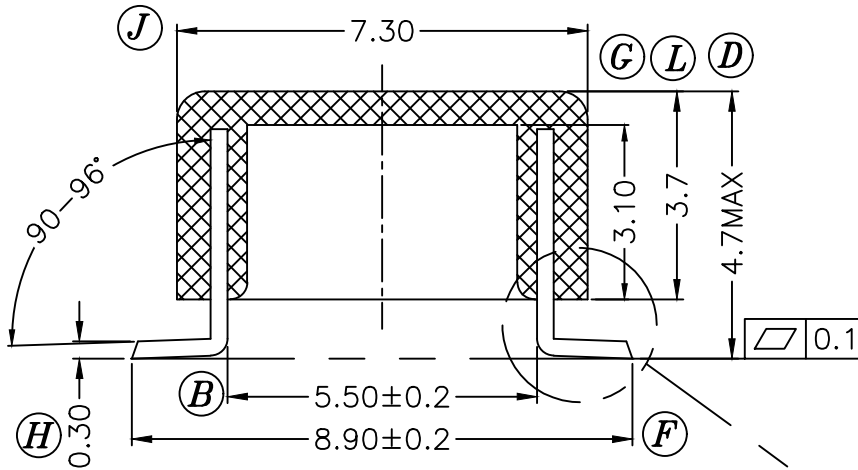


Recommended
PCB layout



CAV. NO. 備注:

1. 本体共SB-045, 成品区别为Pin截断面不同.
此產品是在SB-045-3的基礎上, 新增DAP WH9100HM-P材質生產.

REV.	REVISIONS	REC.	DATE	REV.	REVISIONS	REC.	DATE

DRAWN & DRAFTED BY YE ZHAN CHAO	TOLERANCES		ANGLE:	TITLE:			
	0<L≤4 ±0.1	pin pitch ±0.2	±1°	SMD BOBBIN 7.3X5.4X4.7		UL REC.	
CHECKED & APPROVED BY	4<L≤16 ±0.2		UNIT:	BOBBIN MATERIAL:		UL 94V-0	
	16<L≤63 ±0.3		MM	DAP WH9100HM-P			
ORIGIN: DG			PIN MATERIAL:		PIN TENSION LOAD:		
			PB WIRE		1.0KG MIN		
DATE: MAR.04'2019			DRAWING NO. SB-045-4		REV. 0		



PIN SHINE INDUSTRIAL CO., LTD.
TEL: 886-2-22990545 FAX: 886-2-22990546