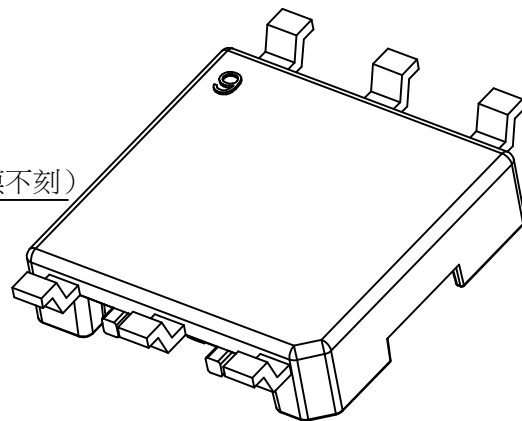


CAV.NO.1,2,3...(樣品模不刻)  
字體凸出0.05-0.10mm



REV.	REVISIONS REC.	DATE	REV.	REVISIONS REC.	DATE
1	Add four gibbosity at base	/	4	(E):φ5.6=>φ5.55	/
2	Ddd 0.5 chamfer.	/	5	Change origin	2010.09.30
3	Cancel(M),(E1); Update drawing	/			

DRAWN & DRAFTED BY 吳志堅	TOLERANCES		ANGLE: ±1°	TITLE: SMD BASE 6.8X7.0X2.0		
	0<L≤4 ±0.1	pin pitch ±0.2	UNIT: MM	BOBBIN MATERIAL: LCP E4008		UL REC. UL 94V-0
CHECKED & APPROVED BY	4<L≤16 ±0.2		ORIGIN: DG	PIN MATERIAL: 1/2H C5191		PIN TENSION LOAD: 1.0kg MIN.
	16<L≤63 ±0.3		DATE: SEP.13.10	DRAWING NO. SB-046	REV. 5	



PIN SHINE INDUSTRIAL CO., LTD.  
TEL:886-2-22990545 FAX:886-2-22990546