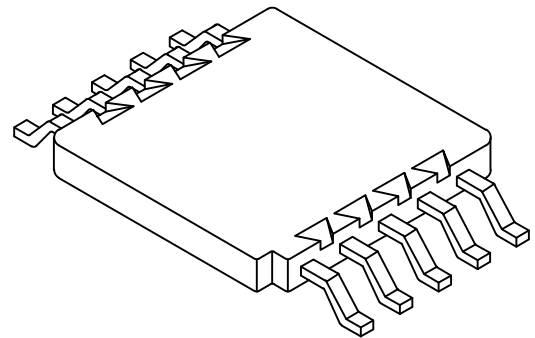
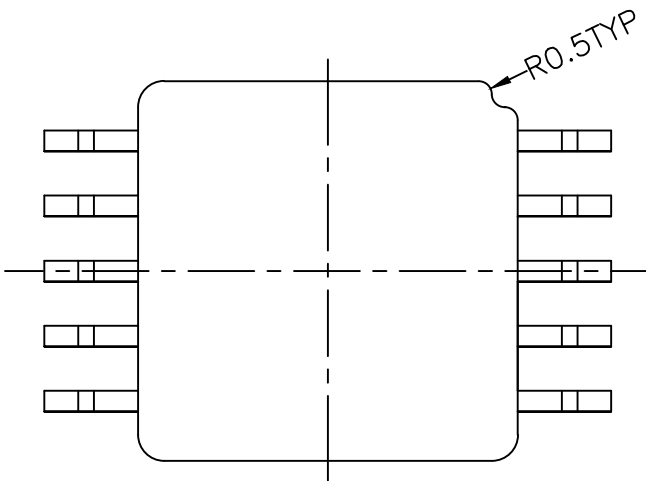


DETAIL A SCALE 4:1



| REV. | REVISIONS | REC. | DATE | REV. | REVISIONS | REC. | DATE |
|------|-----------|------|------|------|-----------|------|------|
| | | | | | | | |
| | | | | | | | |
| | | | | | | | |

| | | | | | | | |
|---|---------|--------------------------|-----------|---------------|------------------|-------------------|--|
| DRAWN & DRAFTED BY | QINMENG | TOLERANCES | | ANGLE: | TITLE: | | |
| | | x.x x.xx | pin pitch | $\pm 1^\circ$ | DR15 BOBBIN | | |
| CHECKED & APPROVED BY | | 0~10 $\pm 0.2 \pm 0.08$ | ± 0.2 | UNIT: | BOBBIN MATERIAL: | UL REC. | |
| | | 10~20 $\pm 0.3 \pm 0.15$ | | MM | PM9630 JT | UL 94V-0 | |
| | | 20~ $\pm 0.5 \pm 0.25$ | | ORIGIN: | PIN MATERIAL: | PIN TENSION LOAD: | |
| | | | | DG | C5191 | 1.0KG MIN | |
| PIN SHINE INDUSTRIAL CO., LTD. TEL:886-2-22990545 FAX:886-2-22990546 | | | | DATE: | DRAWING NO. | REV. | |
| | | | | 07.12'2019 | SB-081 | 0 | |