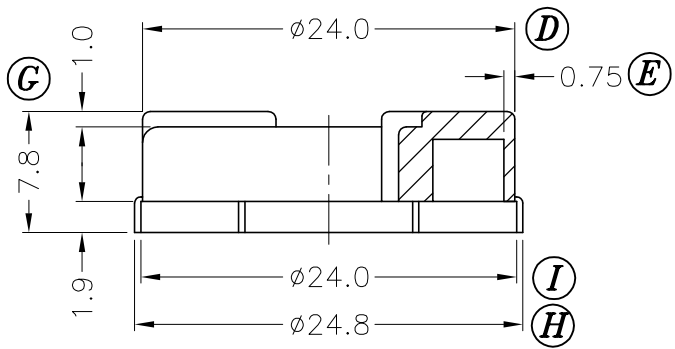
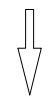
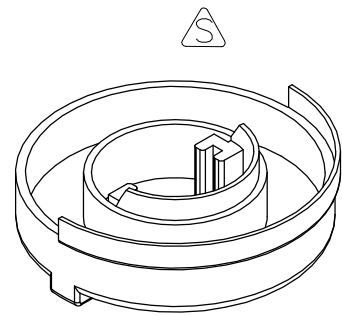
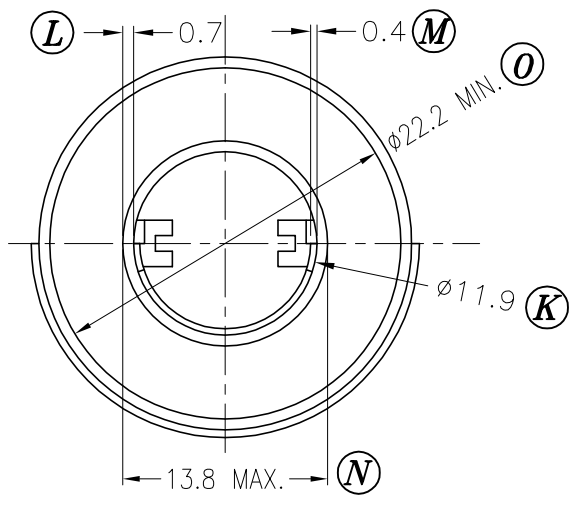
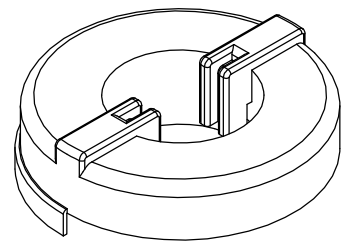


PART C-005-1



SEC. A-A



REV.	REVISIONS REC.	DATE	REV.	REVISIONS REC.	DATE
1	△ SHAPE MODIFIED.	'00.3.15			
2	CANCEL (F),(J),(C); UPDATE DRAWING.	'01.10.28			
3	ADD DIM(N),(O) MARK.	'05.8.04			

DRAWN & DRAFTED BY YE JIN HONG	TOLERANCES 0<L≤4 ±0.1 4<L≤16 ±0.2 16<L≤63 ±0.3	pin pitch	ANGLE: ±1°	TITLE: COVER T-22X14X8	
			UNIT: MM	BOBBIN MATERIAL: PBT 4115	UL REC. UL 94V-0
CHECKED & APPROVED BY JOHN RONG			ORIGIN: DG	PIN MATERIAL:	PIN TENSION LOAD:
PIN SHINE INDUSTRIAL CO., LTD. TEL:886-2-22990545 FAX:886-2-22990546			DATE: AUG.04'2005	DRAWING NO. C-005	REV. 3