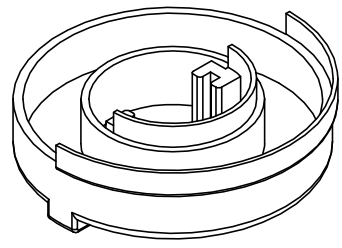
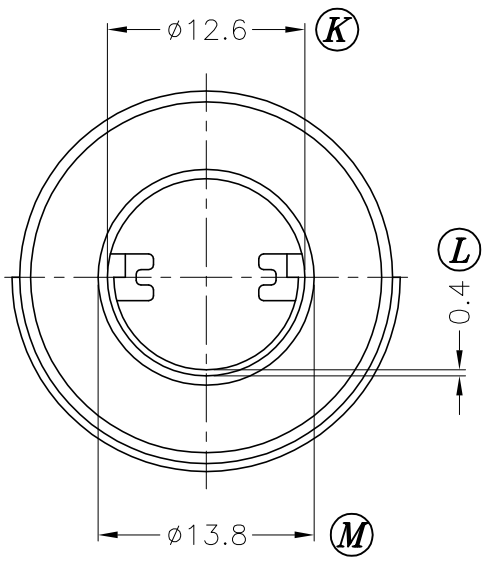
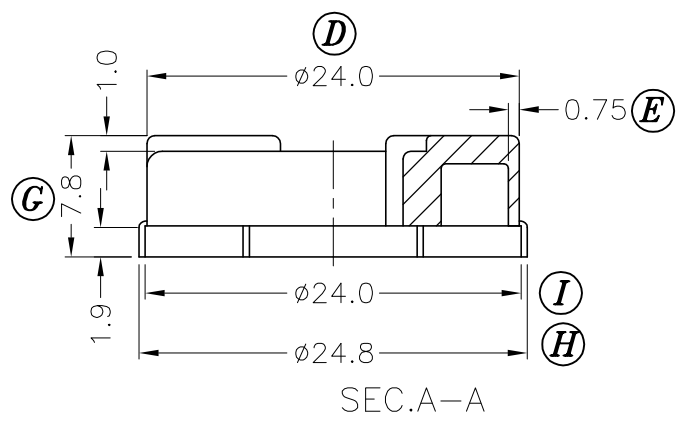
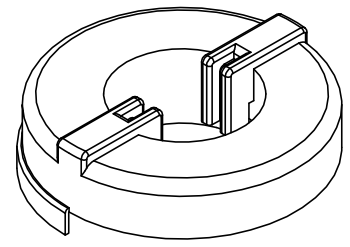
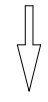


PART C-005-1



REV.	REVISIONS REC.	DATE	REV.	REVISIONS REC.	DATE
1	(C):6.8->7.0				
2	CANCEL (A),(F),(J); UPDATE DRAWING.				

DRAWN & DRAFTED BY LI HU	TOLERANCES		ANGLE: $\pm 1^\circ$	TITLE: COVER T-22X14X8	
	0<L≤4 ±0.1	pin pitch	UNIT: MM	BOBBIN MATERIAL: PBT 4115	UL REC. UL 94V-0
4<L≤16 ±0.2	ORIGIN: DG		PIN MATERIAL: _____	PIN TENSION LOAD: _____	
CHECKED & APPROVED BY	16<L≤63 ±0.3				
<b>PIN SHINE INDUSTRIAL CO.,LTD.</b> TEL:886-2-22990545 FAX:886-2-22990546			DATE: OCT 28.2003	DRAWING NO. C-005-2	REV. 2