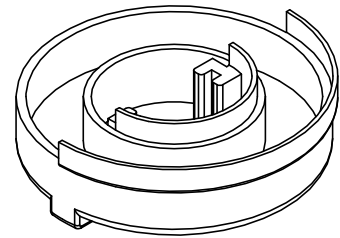
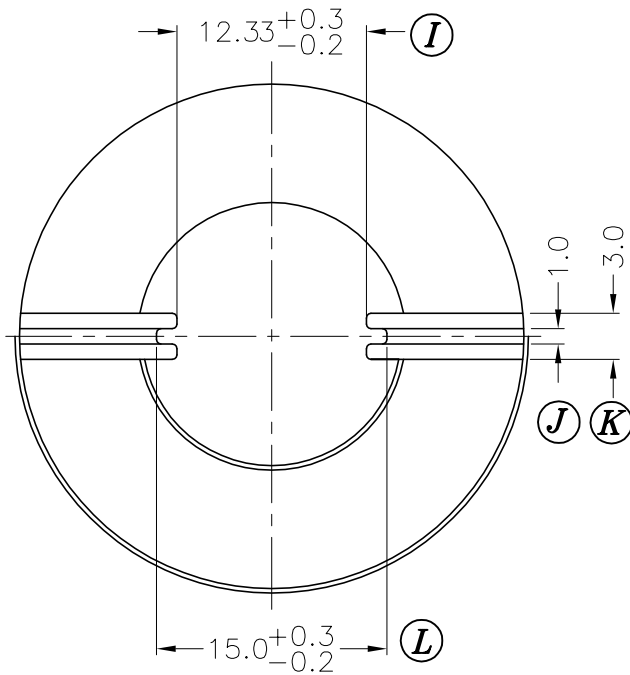
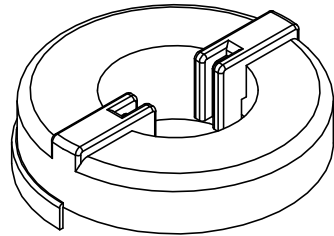
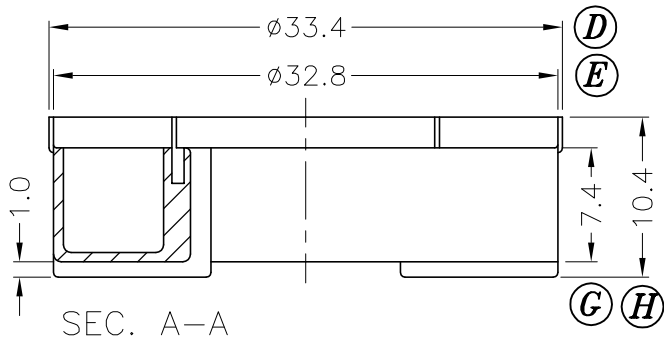


PART C-015-1



REV.	REVISIONS REC.	DATE.	REV.	REVISIONS REC.	DATE.
1	(I):12.33->12.33+0.3/-0.2 (L):15.0->15.0+0.3/-0.2				
2	CANCEL (C),(F); UPDATE DRAWING.				

DRAWN & DRAFTED BY ZHANG JR	TOLERANCES		ANGLE: $\pm 1^\circ$	TITLE: COVER T-31X19X13	
	0<L≤4 ±0.1	pin pitch	UNIT: MM	BOBBIN MATERIAL: PBT 1403G3	UL REC. UL 94V-0
CHECKED & JOHN RONG	4<L≤16 ±0.2		ORIGIN: DG	PIN MATERIAL:	PIN TENSION LOAD:
	16<L≤63 ±0.3		DATE: OCT.28 '2003	DRAWING NO. C-015	REV. 2



PIN SHINE INDUSTRIAL CO., LTD.

TEL:886-2-22990545

FAX:886-2-22990546

